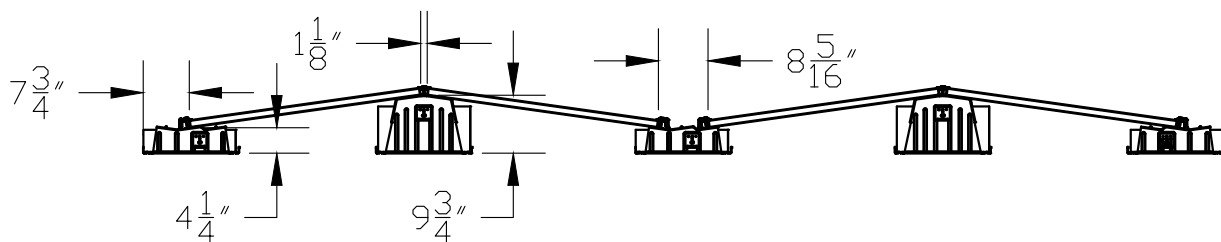
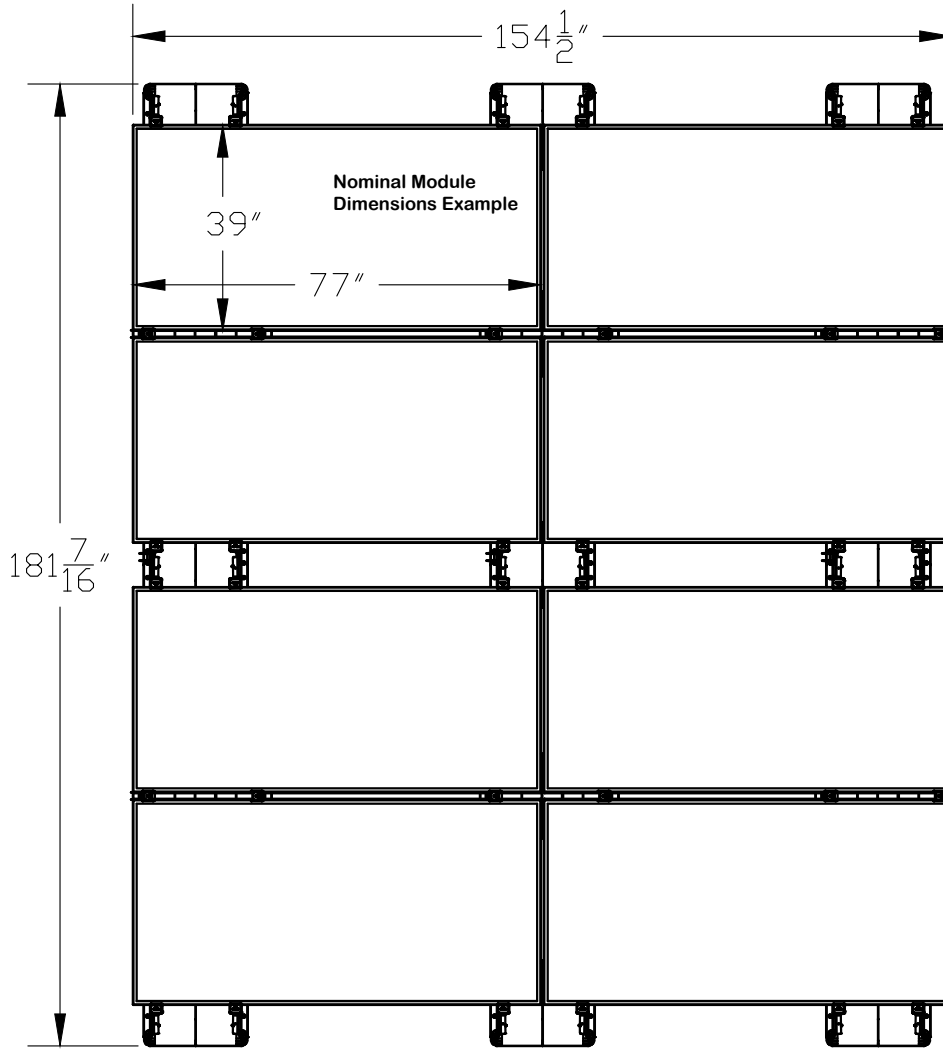
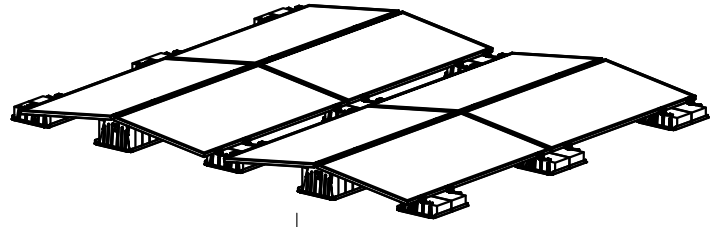


NOTE: ARRAY DIMENSIONS WILL VARY BASED ON
MODULE WIDTH & LENGTH.



1411 BROADWAY BLVD NE
ALBUQUERQUE, NM 87102
USA

WWW.UNIRAC.COM

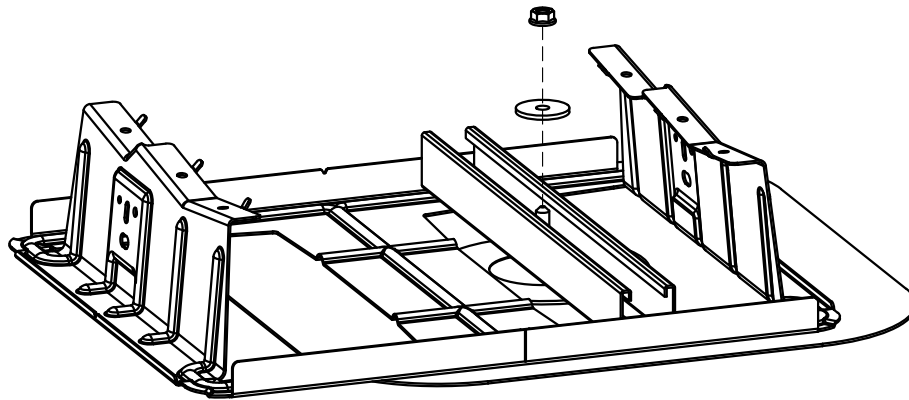
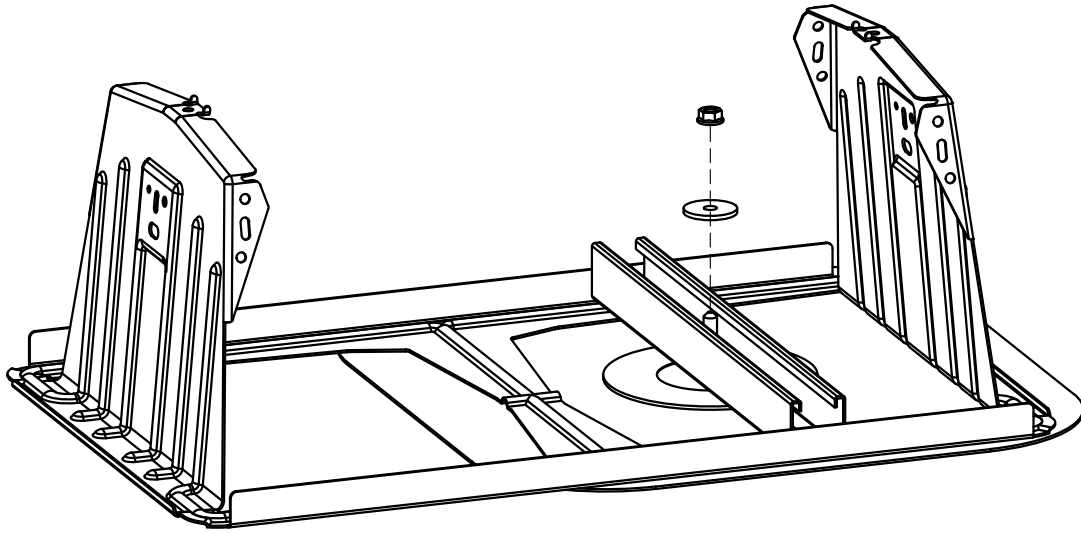
PRODUCT LINE:	RMDT
DRAWING TYPE:	ASSEMBLY
DESCRIPTION:	2x4 LAYOUT
REVISION DATE:	October_2016

DRAWING NOT TO SCALE
ALL DIMENSIONS ARE NOMINAL

PRODUCT PROTECTED BY ONE
OR MORE US PATENTS

LEGAL NOTICE

RMDT-A01
SHEET



UNIRAC[®]

1411 BROADWAY BLVD NE
ALBUQUERQUE, NM 87102
USA

WWW.UNIRAC.COM

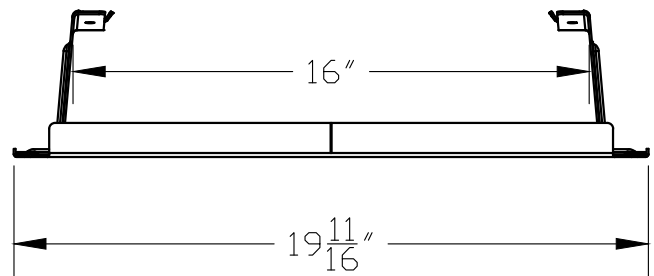
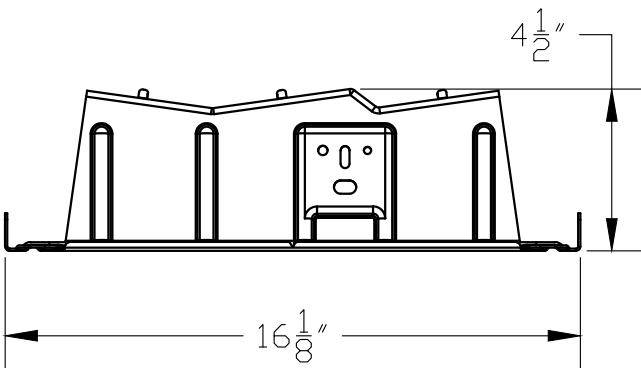
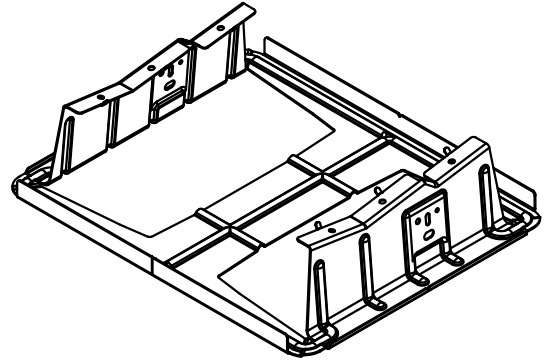
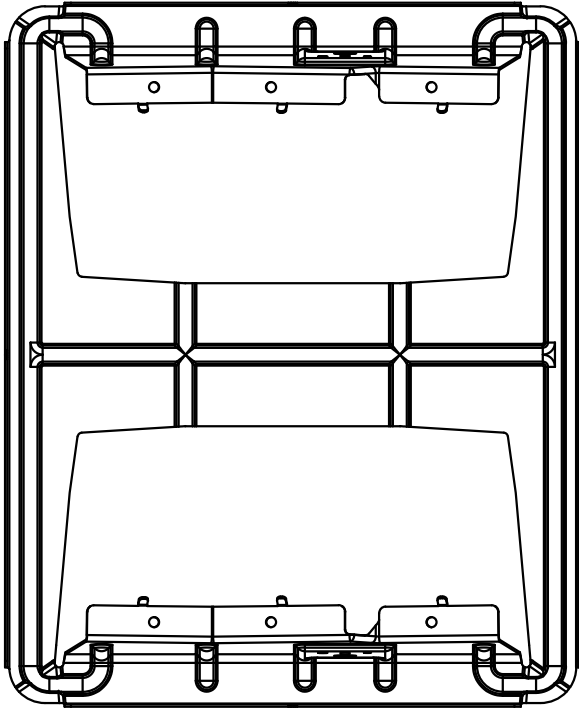
PRODUCT LINE:	RMDT
DRAWING TYPE:	ASSEMBLY
DESCRIPTION:	BAY ATTACHMENTS
REVISION DATE:	October_2016

DRAWING NOT TO SCALE
ALL DIMENSIONS ARE NOMINAL

PRODUCT PROTECTED BY ONE
OR MORE US PATENTS

LEGAL NOTICE

RMDT-A04
SHEET



UNIRAC

1411 BROADWAY BLVD NE
ALBUQUERQUE, NM 87102
USA

WWW.UNIRAC.COM

PRODUCT LINE:	RMDT
DRAWING TYPE:	PART
DESCRIPTION:	RMDT VALLEY BAY
REVISION DATE:	October_2016

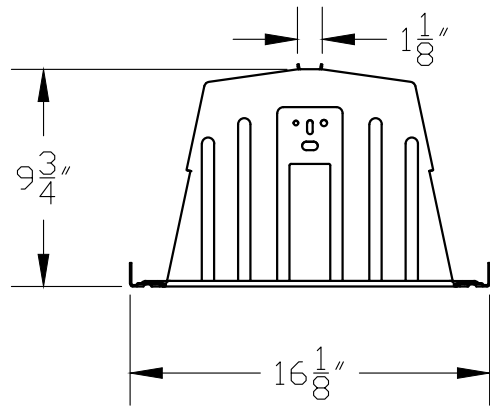
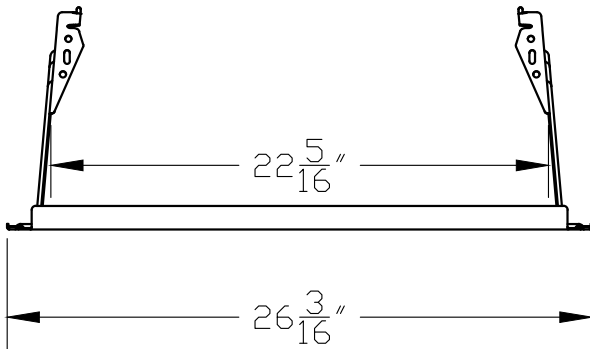
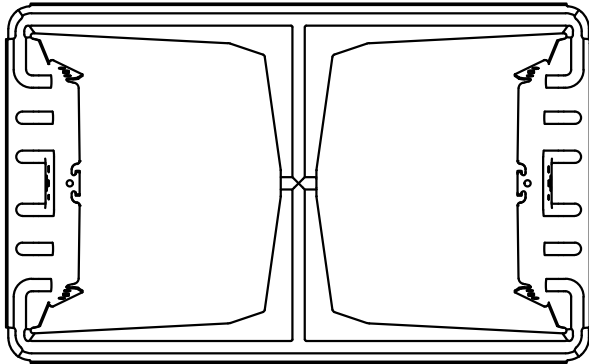
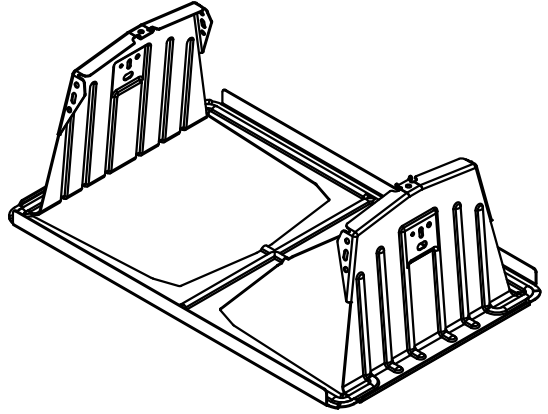
DRAWING NOT TO SCALE
ALL DIMENSIONS ARE NOMINAL

PRODUCT PROTECTED BY ONE
OR MORE US PATENTS

LEGAL NOTICE

RMDT-PO1

SHEET



UNIRAC

1411 BROADWAY BLVD NE
ALBUQUERQUE, NM 87102
USA

WWW.UNIRAC.COM

PRODUCT LINE:	RMDT
DRAWING TYPE:	PART
DESCRIPTION:	RMDT RIDGE BAY
REVISION DATE:	October_2016

DRAWING NOT TO SCALE
ALL DIMENSIONS ARE NOMINAL

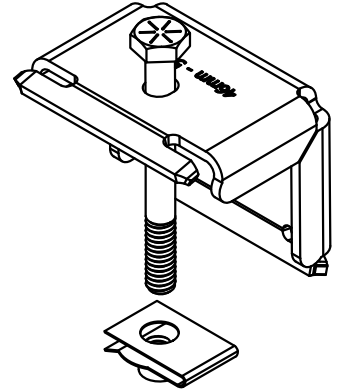
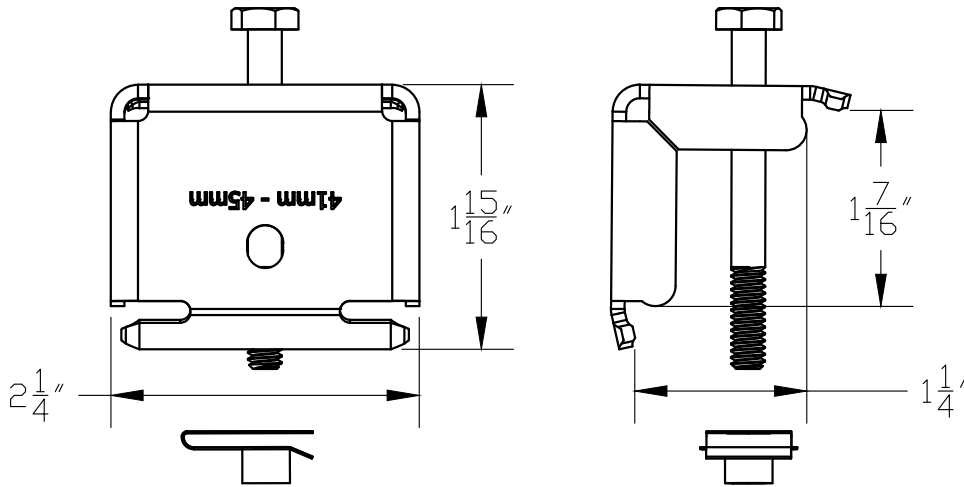
PRODUCT PROTECTED BY ONE
OR MORE US PATENTS

LEGAL NOTICE

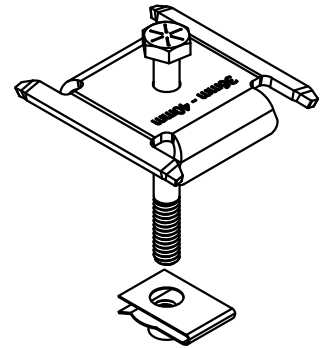
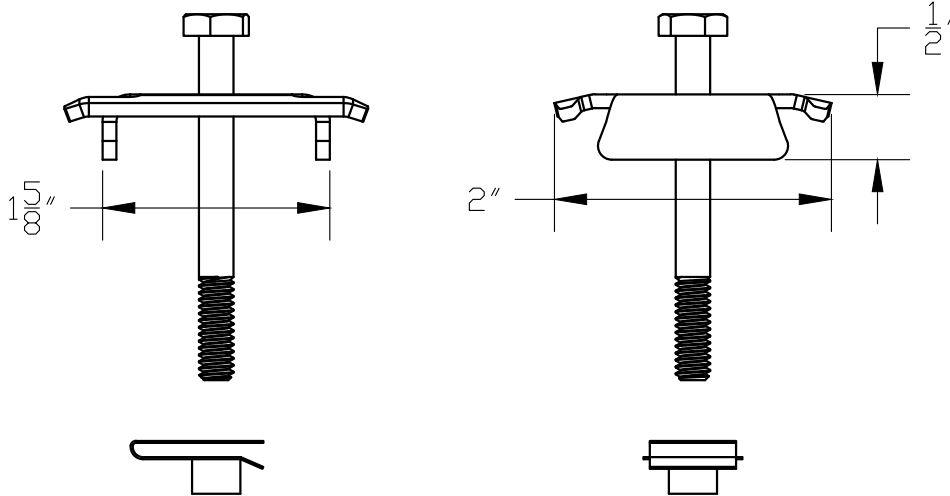
RMDT-P02

SHEET

END CLAMP



MID CLAMP



UNIRAC

1411 BROADWAY BLVD NE
ALBUQUERQUE, NM 87102
USA

WWW.UNIRAC.COM

PRODUCT LINE:	RMDT
DRAWING TYPE:	PART
DESCRIPTION:	RMDT CLAMPS
REVISION DATE:	October_2016

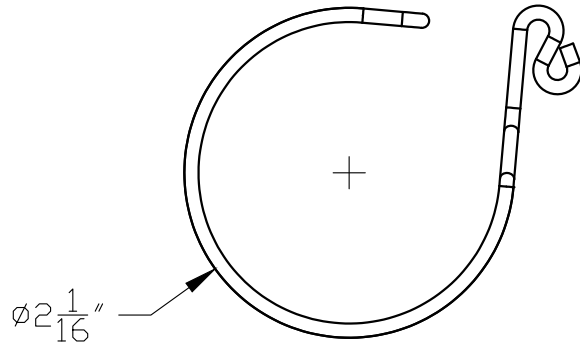
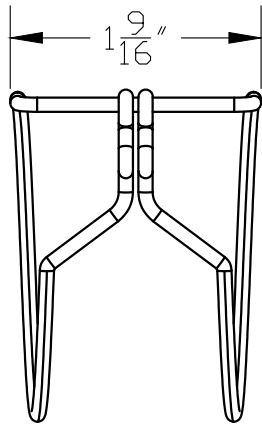
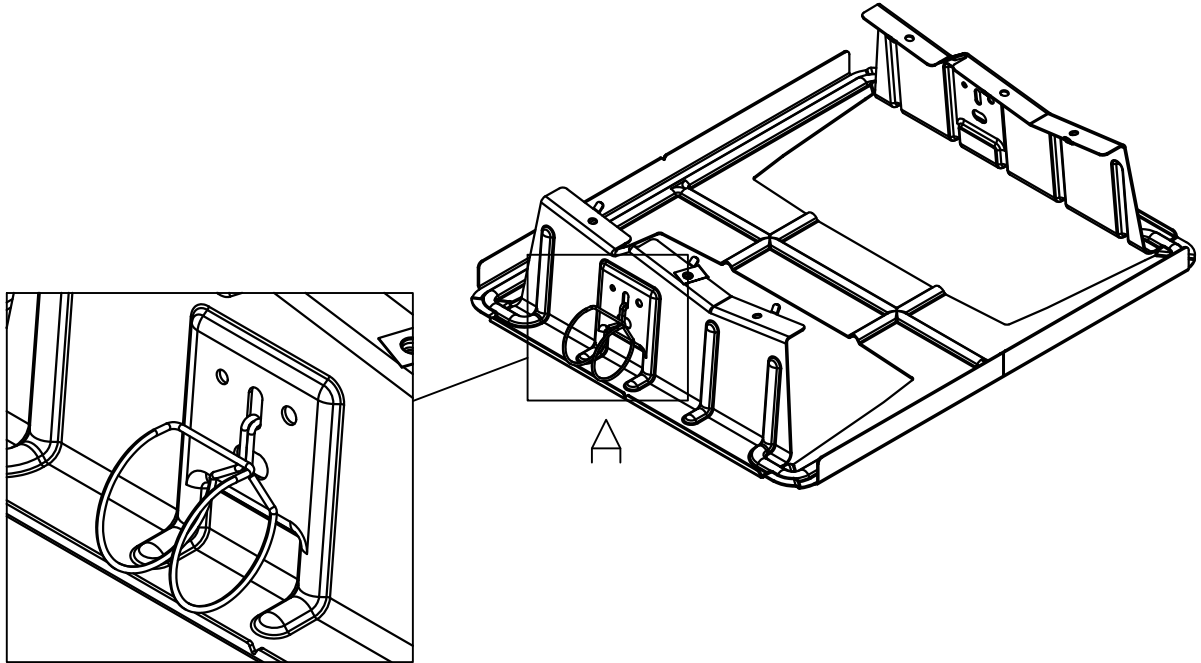
DRAWING NOT TO SCALE
ALL DIMENSIONS ARE NOMINAL

PRODUCT PROTECTED BY ONE
OR MORE US PATENTS

LEGAL NOTICE

RMDT-P03

SHEET



UNIRAC

1411 BROADWAY BLVD NE
ALBUQUERQUE, NM 87102
USA

WWW.UNIRAC.COM

PRODUCT LINE:	RMDT
DRAWING TYPE:	PART
DESCRIPTION:	RMDT WIRE CLIP
REVISION DATE:	October_2016

DRAWING NOT TO SCALE
ALL DIMENSIONS ARE NOMINAL

PRODUCT PROTECTED BY ONE
OR MORE US PATENTS

LEGAL NOTICE

RMDT-P04

SHEET