

1411 BROADWAY BLVD NE  
ALBUQUERQUE, NM 87102 USA

WWW.UNIRAC.COM

<b>PRODUCT LINE:</b>	ULA
<b>DRAWING TYPE:</b>	ASSEMBLY
<b>DESCRIPTION:</b>	ASSEMBLY EXAMPLE
<b>REVISION DATE:</b>	APRIL 2016

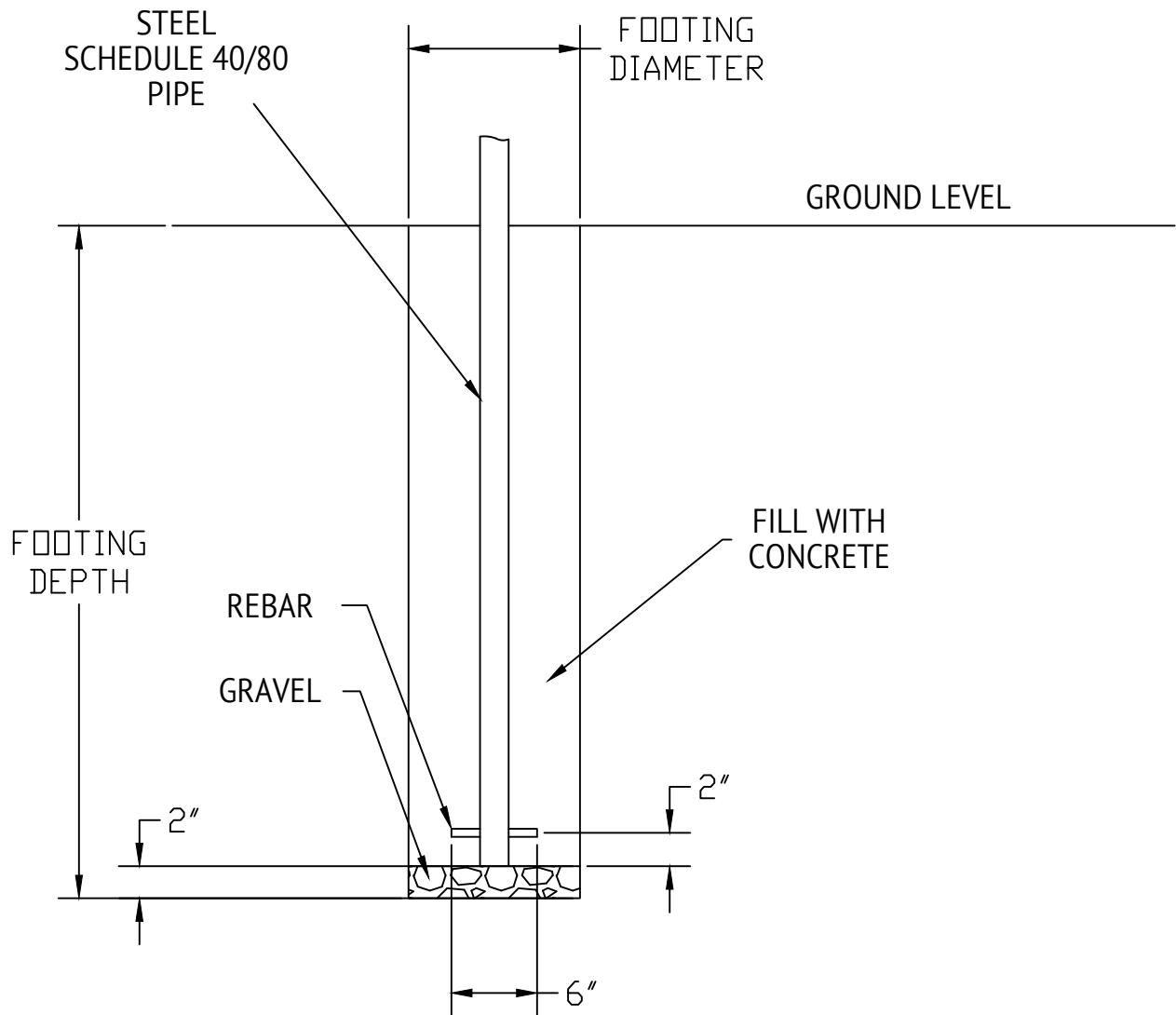
DRAWING NOT TO SCALE  
ALL DIMENSIONS ARE NOMINAL

PRODUCT PROTECTED BY ONE  
OR MORE US PATENTS

**LEGAL NOTICE**

**ULA-A01**  
**SHEET**





1411 BROADWAY BLVD NE  
ALBUQUERQUE, NM 87102 USA

WWW.UNIRAC.COM

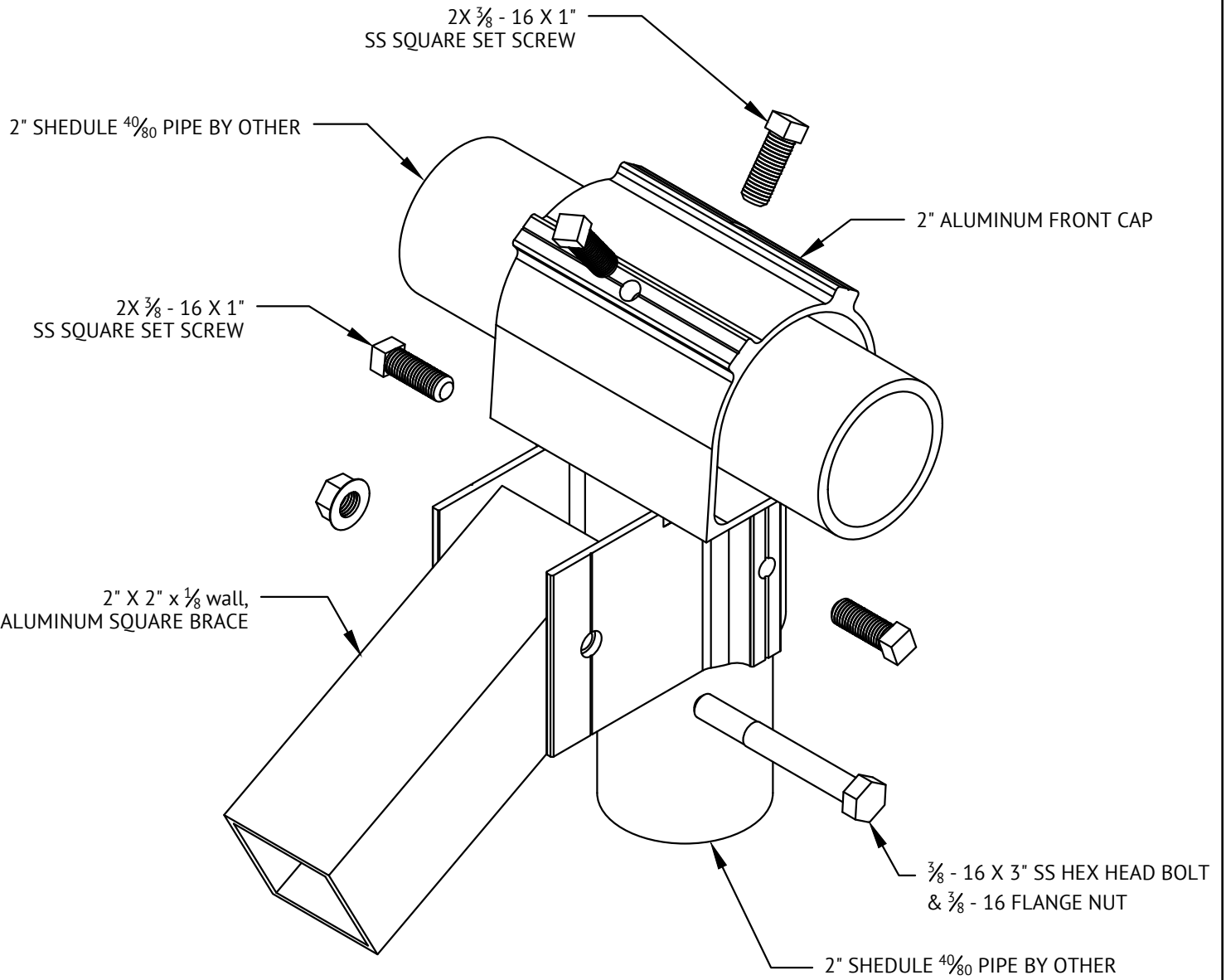
<b>PRODUCT LINE:</b>	ULA
<b>DRAWING TYPE:</b>	ASSEMBLY
<b>DESCRIPTION:</b>	ULA FOUNDATION
<b>REVISION DATE:</b>	APRIL 2016

DRAWING NOT TO SCALE  
ALL DIMENSIONS ARE NOMINAL

PRODUCT PROTECTED BY ONE  
OR MORE US PATENTS

**LEGAL NOTICE**

**ULA-A03**  
**SHEET**



1411 BROADWAY BLVD NE  
ALBUQUERQUE, NM 87102 USA

WWW.UNIRAC.COM

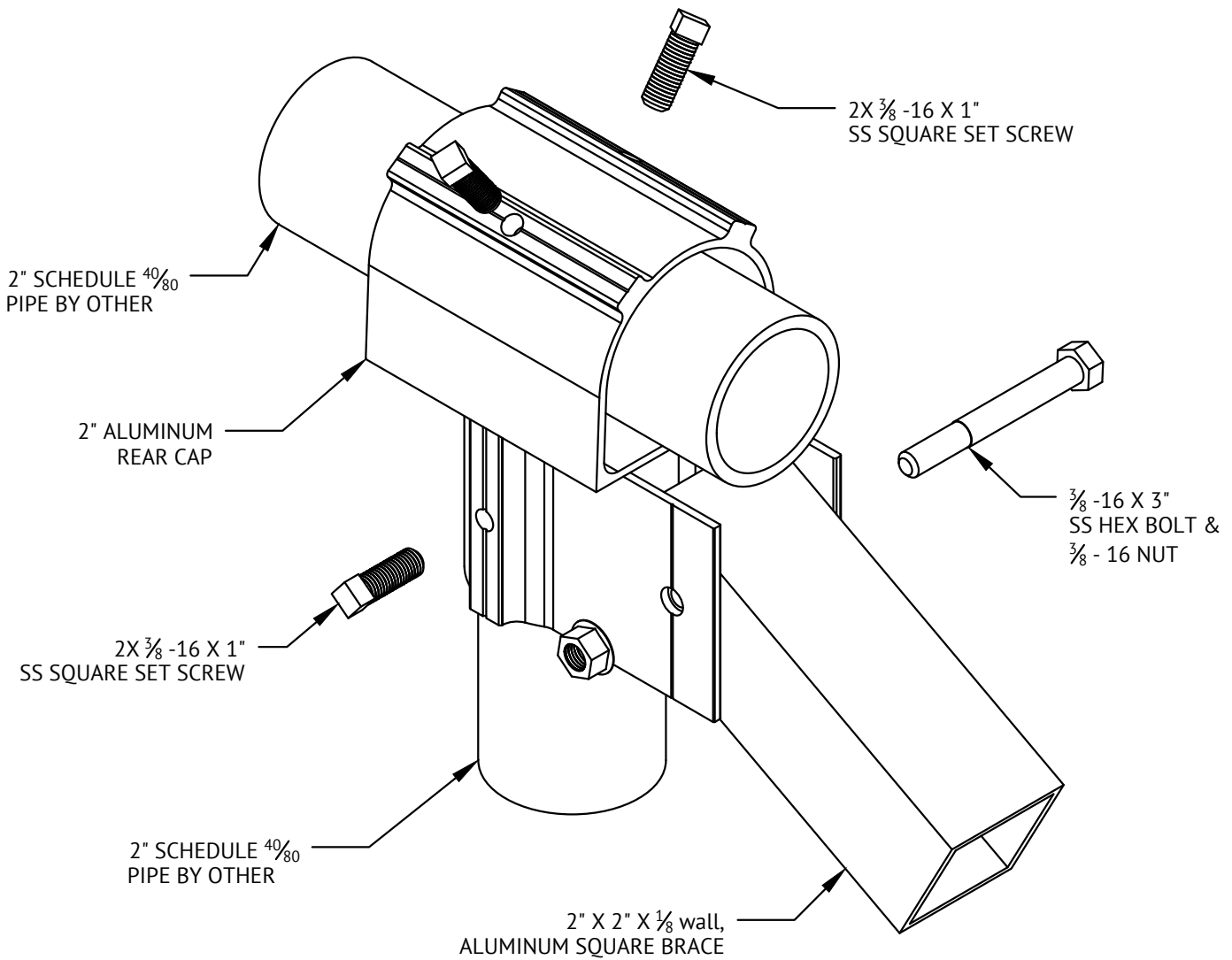
<b>PRODUCT LINE:</b>	ULA
<b>DRAWING TYPE:</b>	PART
<b>DESCRIPTION:</b>	ALUM FRONT CAP
<b>REVISION DATE:</b>	APRIL 2016

DRAWING NOT TO SCALE  
ALL DIMENSIONS ARE NOMINAL

PRODUCT PROTECTED BY ONE  
OR MORE US PATENTS

**LEGAL NOTICE**

**ULA-A04**  
**SHEET**



1411 BROADWAY BLVD NE  
ALBUQUERQUE, NM 87102 USA

WWW.UNIRAC.COM

<b>PRODUCT LINE:</b>	ULA
<b>DRAWING TYPE:</b>	PART
<b>DESCRIPTION:</b>	ALUMINUM REAR CAP
<b>REVISION DATE:</b>	APRIL 2016

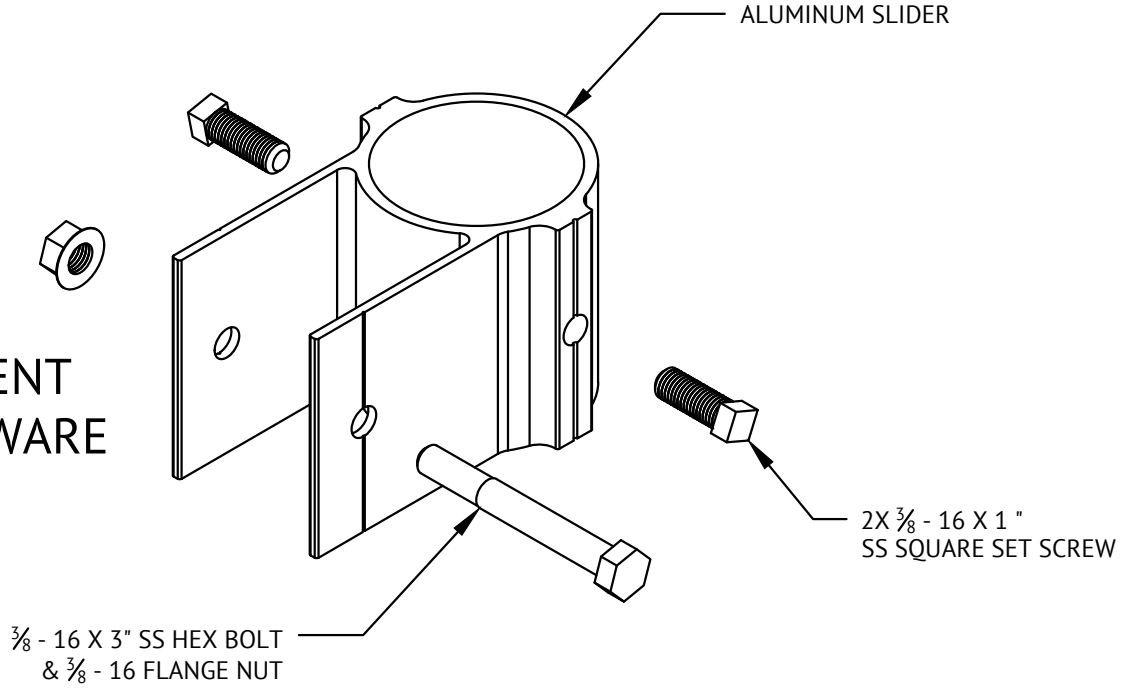
DRAWING NOT TO SCALE  
ALL DIMENSIONS ARE NOMINAL

PRODUCT PROTECTED BY ONE  
OR MORE US PATENTS

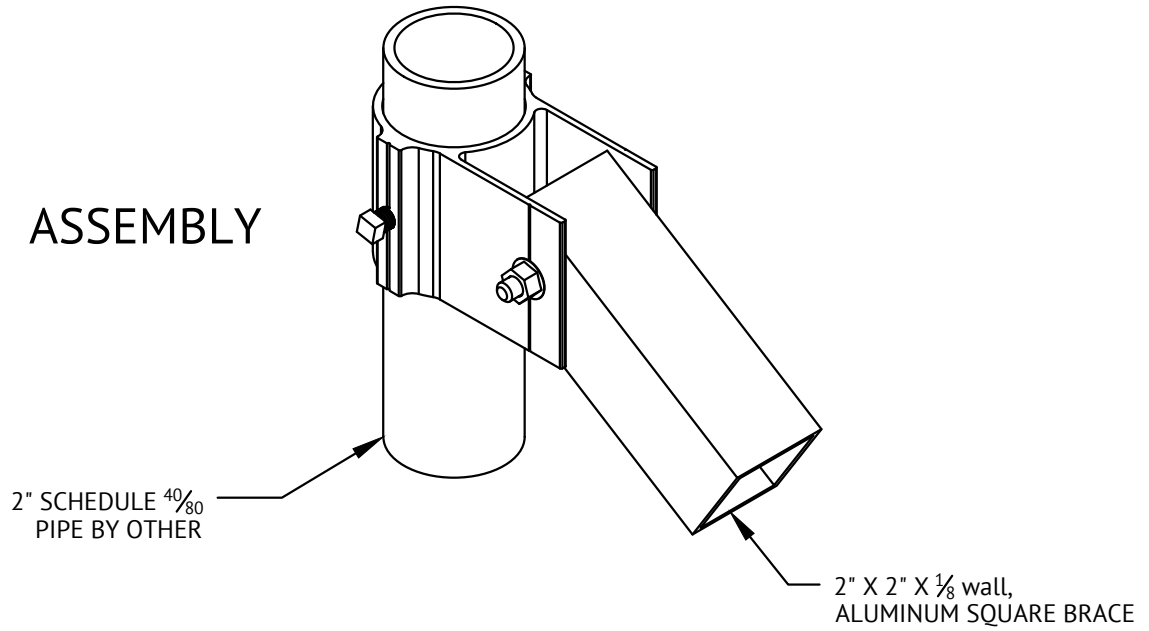
**LEGAL NOTICE**

**ULA-A05**  
**SHEET**

# COMPONENT & HARDWARE



# ASSEMBLY



1411 BROADWAY BLVD NE  
ALBUQUERQUE, NM 87102 USA

WWW.UNIRAC.COM

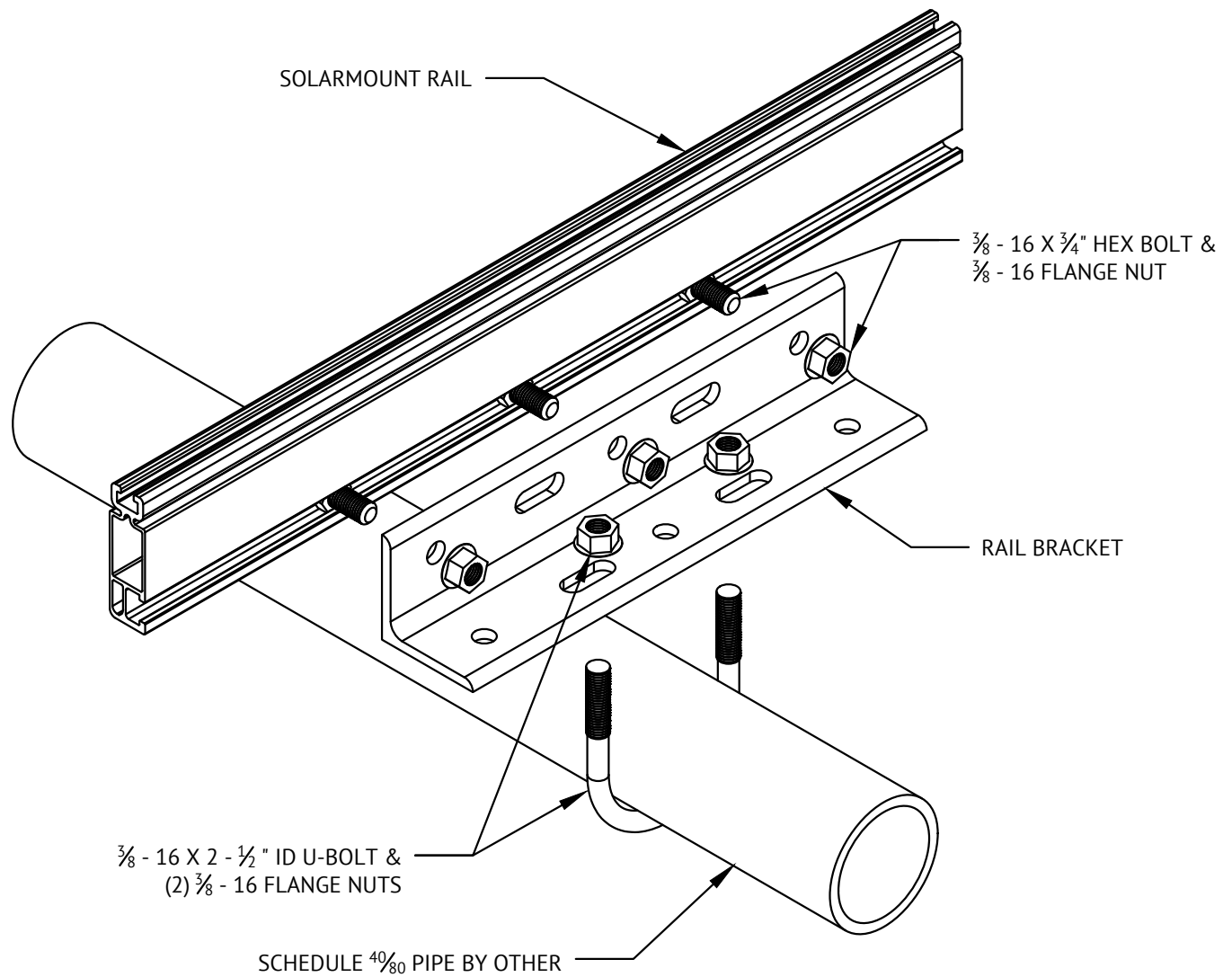
<b>PRODUCT LINE:</b>	ULA
<b>DRAWING TYPE:</b>	PART
<b>DESCRIPTION:</b>	ALUM SLIDER
<b>REVISION DATE:</b>	APRIL 2016

DRAWING NOT TO SCALE  
ALL DIMENSIONS ARE NOMINAL

PRODUCT PROTECTED BY ONE  
OR MORE US PATENTS

**LEGAL NOTICE**

**ULA-A06**  
**SHEET**



**UNIRAC**

1411 BROADWAY BLVD NE  
ALBUQUERQUE, NM 87102 USA

WWW.UNIRAC.COM

**PRODUCT LINE:**

ULA

**DRAWING TYPE:**

PART

**DESCRIPTION:**

UNIVERSAL RAIL BRACKET

**REVISION DATE:**

APRIL 2016

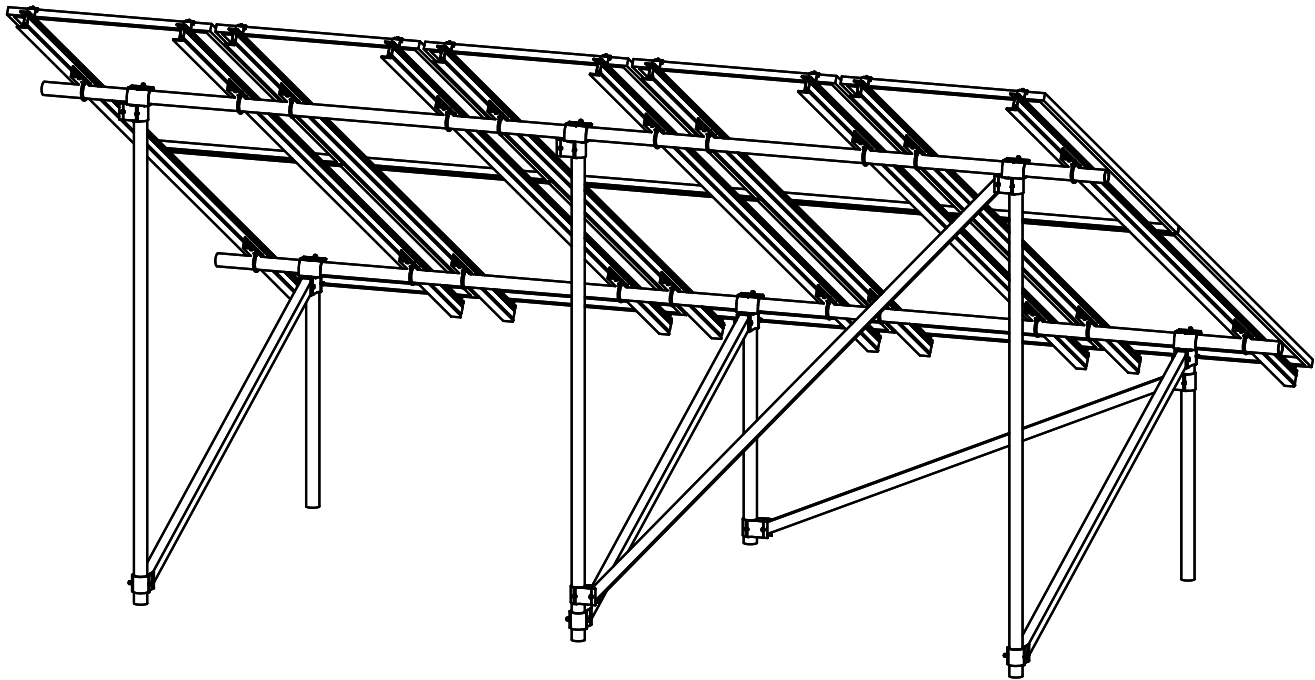
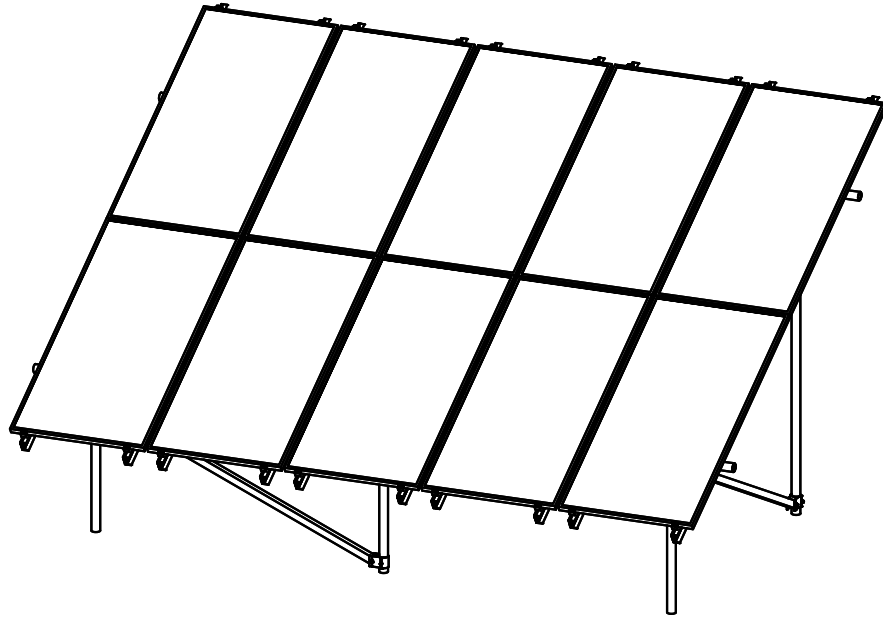
DRAWING NOT TO SCALE  
ALL DIMENSIONS ARE NOMINAL

PRODUCT PROTECTED BY ONE  
OR MORE US PATENTS

**LEGAL NOTICE**

**ULA-A07**

**SHEET**



1411 BROADWAY BLVD NE  
ALBUQUERQUE, NM 87102 USA

WWW.UNIRAC.COM

<b>PRODUCT LINE:</b>	ULA
<b>DRAWING TYPE:</b>	ASSEMBLY
<b>DESCRIPTION:</b>	PORTRAIT ORIENTATION
<b>REVISION DATE:</b>	APRIL 2016

DRAWING NOT TO SCALE  
ALL DIMENSIONS ARE NOMINAL

PRODUCT PROTECTED BY ONE  
OR MORE US PATENTS

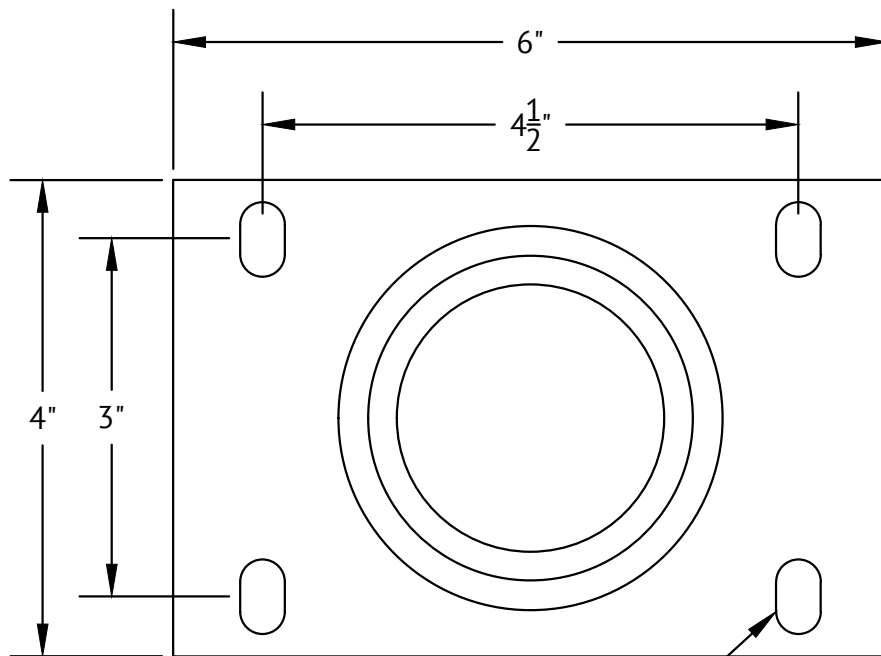
**LEGAL NOTICE**

**ULA-A08**  
**SHEET**



2 3/8 INCH DIAMETER PIPE THREAD  
(11.5 THREADS PER INCH)

3/16"



3/8 x 5/8 SLOT



1411 BROADWAY BLVD NE  
ALBUQUERQUE, NM 87102 USA

WWW.UNIRAC.COM

**PRODUCT LINE:**

ULA

**DRAWING TYPE:**

PART

**DESCRIPTION:**

STEEL THREADED FOOT

**REVISION DATE:**

APRIL 2016

DRAWING NOT TO SCALE  
ALL DIMENSIONS ARE NOMINAL

PRODUCT PROTECTED BY ONE  
OR MORE US PATENTS

**LEGAL NOTICE**

**ULA-P01**

**SHEET**